



Arklite Speciality Lamps Ltd

An ISO 9001:2008 Certified Company

SUPERFLOOD LIGHTING SOLUTIONS



Model – AL101

1000W – 2000W DE LAMPS

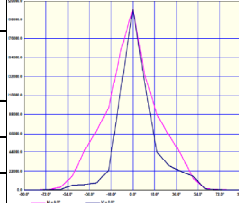
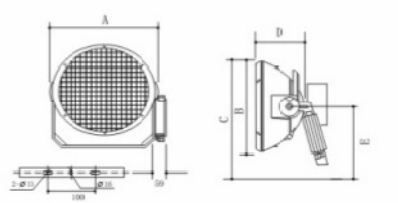
Model – AL102

The high performance Aluminum die casted body of the luminaries confirming IP65 makes it perfect for large area outdoor lighting. The focused beam output of circular luminary and spread beam output of the rectangular one provides good optical control required in large area lighting. The light weight and flexibility in mounting arrangement makes it convenient to mount on heightened poles.

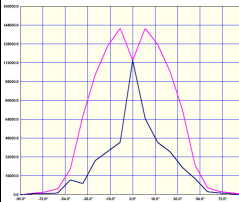
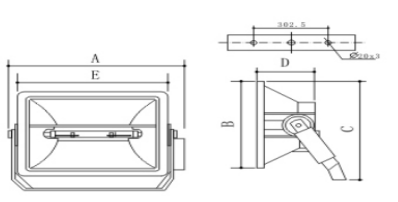
- Die Casting Aluminum Body
- Reflector in Pure Aluminum
- Tempered Glass: Heat – proof & Crash Proof
- Heat Resistant Silicon Rubber Seal Ring
- Class : IP65
- Steel Bracket

Technical Specifications

Model	Light Source	Input Voltage (Volt)	Dimensions				
			A	B	C	D	E
AL101	M1000T5-DE	380 - 420	740	480	595	235	600
AL101	M1500T6-DE	50Hz	740	480	595	235	600
AL101	M2000T8-DE		740	480	595	235	600

Model	Light Source	Input Voltage (Volt)	Dimensions				
			A	B	C	D	E
AL102	M1000T5-DE	380 - 420	550	465	525	280	300
AL102	M1500T6-DE	50Hz	550	465	525	280	300
AL102	M2000T8-DE		550	465	525	280	300

Applications

SPORTS LIGHTING, HIGH MAST, CONSTRUCTION SITE LIGHTING, OPEN CAST MINE LIGHTING, OUTDOOR LIGHTING FOR SPECIAL APPLICATIONS

Contact Details: Address
 Gat No. 2794&2797,
 Chakan – Talegaon Road
 Pune - 410501

Web Site: www.arklite.co.in
 E-mail: sales@arklite.co.in

Tel: 91-2135-660155
 Fax: 91-2135-252192

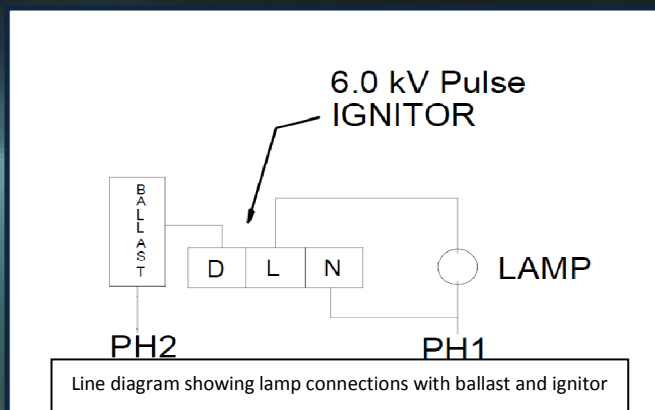


Arklite Speciality Lamps Ltd

An ISO 9001:2008 Certified Company

SUPERFLOOD LIGHTING SOLUTIONS

The optimized lamp design complements fixture designs to provide excellent optical control and high efficiencies as required in large area outdoor lighting applications. These metal halide lamps do not have any UV blocking outer jacket and hence must be operated in closed luminaries. The lamp must be operated with suitable control gear comprising of ballast, ignitor and capacitor.



Technical Specifications

Arklite Code Number	M1000T5 – DE	M1500T6 – DE	M2000T8 – DE
Lumen Output (@100 Hrs.)	80000	130000	215000
Lumen Per Watt	80	87	100
Average Rated Life (Hours)	6000	6000	6000
Color Temperature (K)	5200	5200	5200
Color Rendering Index Ra	65	65	65
Burning Position	HORIZONTAL +/- 15°	HORIZONTAL +/- 15°	HORIZONTAL +/- 15°
Base Designation	RSC(Rx7s)	RSC(Rx7s)	RSC(Rx7s)
Bulb Diameter	15 mm	19 mm	25 mm
Max. Overall Length	256 mm	256 mm	256 mm
Nominal Wattage	1000 W	1500 W	2000 W
Nominal Lamp Current	4.4 A	6.7 A	9.8 A
Nominal Lamp Voltage	250 V	250 V	250 V
Min. Open Circuit Voltage (RMS)	342	342	342
Ballast Input Voltage	415/430/435/440	380/400/415	380/400/415
Ballast Dimensions (LXWXH) mm	166 X 107 X 109	215 X 150 X 126	215 X150 X126
Capacitor Value (µf)	15	30	45
Capacitor Voltage	440	440	440
Ignitor Type	Superimposed	Superimposed	Superimposed
Ignitor Pulse Magnitude (kV)	5 – 6	5 – 6	5 – 6

Contact Details: Address
 Gat No. 2794&2797,
 Chakan – Talegaon Road
 Pune - 410501

Web Site: www.arklite.co.in
 E-mail: sales@arklite.co.in

Tel: 91-2135-660155
 Fax: 91-2135-252192